

VECTOR P 转舌锁



本专利重型桨式门锁提供左开、右开或适用握柄选择。锁具机构将凸轮牢固地锁在冲击座后面，并且施加在凸轮上的力越大，凸轮就越难与冲击座接合。使用固定架或四枚模压螺栓安装。防水和防尘等级达到 IP66。标准配备相似钥匙上锁的 805 锁芯。拔取钥匙：开启/闭合 提供内侧释放安全功能。这样一来，即使在上锁状态下也可以从内部打开门锁。



材质

Adapter for cylinder (internal component): 尼龙6+30%玻纤

锁体: Zinc die cast, black or silver texture powder coated

Cam: Steel, zinc plated or unplated

嵌入式螺栓: 钢, 镀锌

Cylinder: Brass, nickel plated in matt finish

Gaskets: Polyurethane

把手: Zinc die cast, silver grey coated

Manoeuvre arms: 锌合金, 镀锌

安装托架: 钢, 镀锌

螺母: Zinc die cast, chrome

O-ring: NBR

Striker: Zinc die cast, zinc plated or black powder coated

相关产品

类似产品: 2-834

附件产品: 2-412

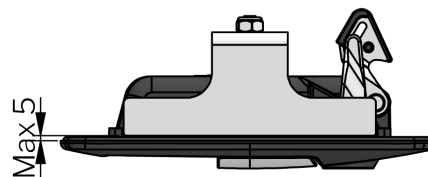
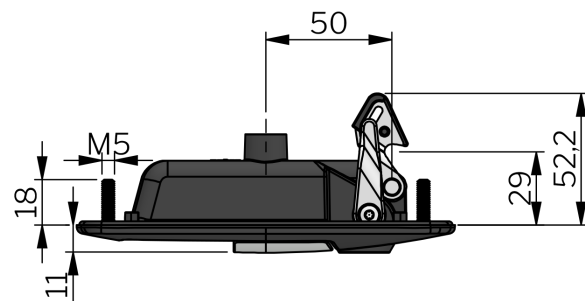
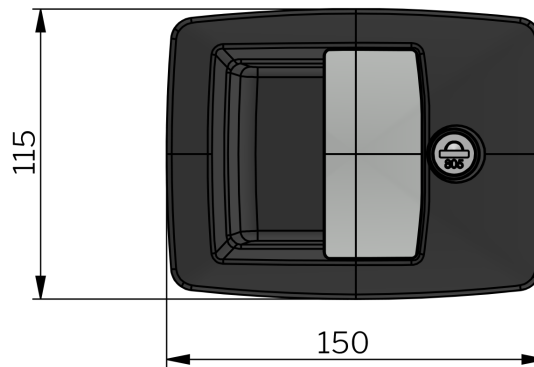
索引编号见网站 industrilas.com

TESTS & STANDARDS

The tightening torque of the two nuts for the mounting bracket is 3,0 Nm. The tightening torque of the four nuts for the mould-in bolts is 2,2 Nm. It is important that the four holes made in the cut out for the mould-in bolts are within tolerance, to avoid damage when tightening the M5 nuts.

标准: IP66, DIN EN 61373

钥匙信息: Supplied keys: 2, Cylinder with other key codes on request



Industrilas
— When access counts —

每一栏选择对应的数字创建产品编号 (AAAA-BBCDDE-FFGG)

| AAAA 款式 | BB 把手 | 材质 | C Mounting | DD Cam | E 款式 | FF Cylinder type | GG Striker H L |
|----------------------|--------------|----------------------|------------------|----------------------------------------|------------|--------------------|----------------|
| 2800 VECTOR - Paddle | 00 Universal | PA6 | 1 Mould-in bolts | 02 Fixed cam to prevent inside opening | 0 Standard | 01 805 | 01 是 16 55 |
| | 01 Universal | 锌合金, 镀铬 | 2 安装托架 | 03 Cam with inside safety release | | 02 455 | 00 否 - - |
| | 02 Universal | Zinc die cast, black | | | | 03 不同钥匙 | |
| | 10 Left | PA6 | | | | 06 CH751 | |
| | 20 Right | PA6 | | | | 69 Keyed alike 810 | |
| | | | | | | 70 Keyed alike 815 | |
| | | | | | | 71 Keyed alike 820 | |
| | | | | | | 72 Keyed alike 825 | |
| | | | | | | 73 Keyed alike 830 | |
| | | | | | | 74 Keyed alike 835 | |
| | | | | | | 75 Keyed alike 840 | |
| | | | | | | 76 Keyed alike 845 | |
| | | | | | | 77 Keyed alike 850 | |

